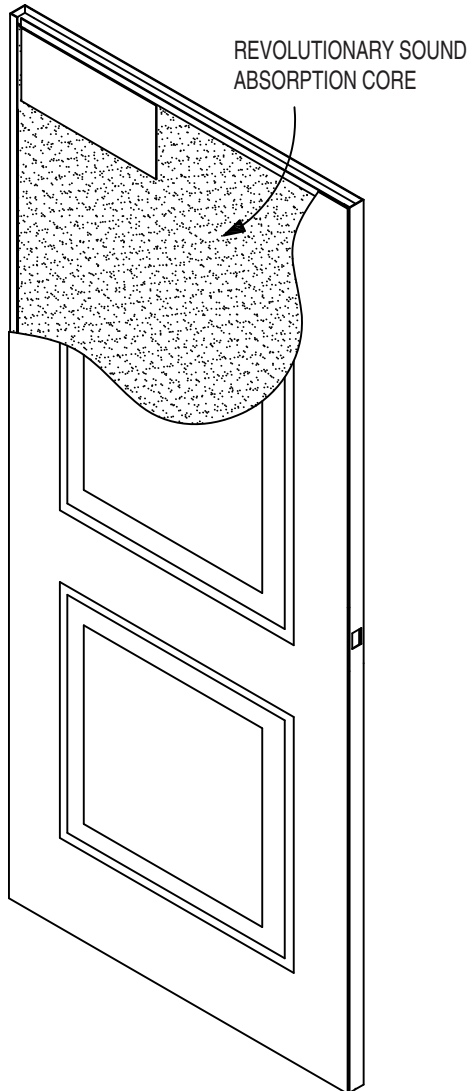


1-3/4" Whisper Core Door Systems

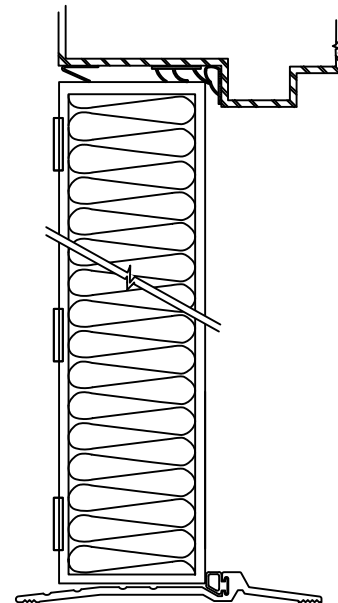
DECORATIVE PANEL STC40 THRU STC47

TESTED AND IN COMPLIANCE WITH ASTM E90-09, ASTM E413-04, ASTM E1332, & ASTM E2235.
DOOR SYSTEMS ARE IN COMPLIANCE WITH HMMA 865-03 & SDI-128 SPECIFICATIONS.
COMPLETE WITH PERIMETER SOUND SEALS, BOTTOM SEALS AND THRESHOLD AS REQUIRED FOR RATING.



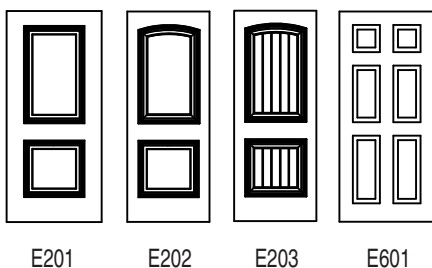
THE REQUIRED CORE WILL BE PROVIDED TO ACHIEVE THE RATING NEEDED.

APPROPRIATE ACOUSTICAL SEAL SETS ARE PROVIDED WITH EACH STC RATED ASSEMBLY.



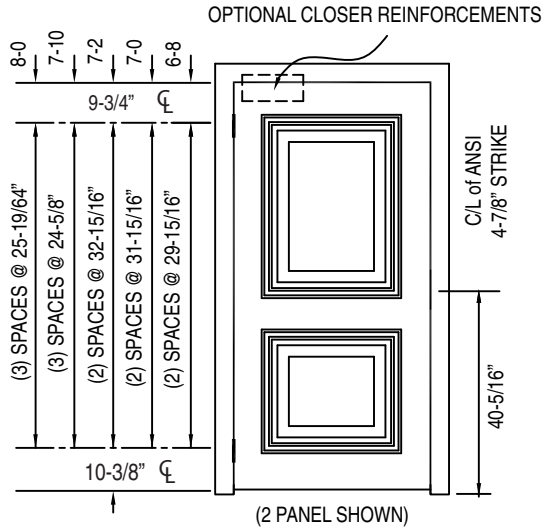
*SUGGESTED USES:
CONFERENCE ROOMS, CLINICAL OFFICES, COURTROOMS, LEGAL OFFICES, BROADCAST STUDIOS, BOARDROOMS, LIBRARIES, MUSIC ROOMS, AND PERFORMING ARTS STUDIOS, HOTEL/MOTEL, AND MILITARY BARRACKS.*

EMBOSSSED PANEL DESIGNS



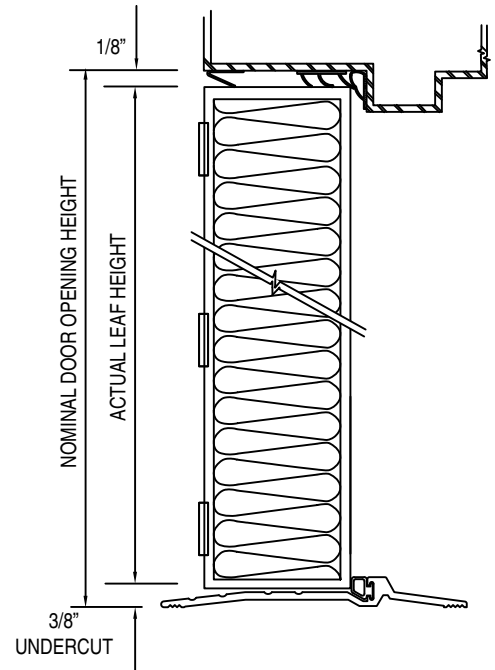
Whisper Core Door Systems

DECORATIVE PANEL STC40 THRU STC47

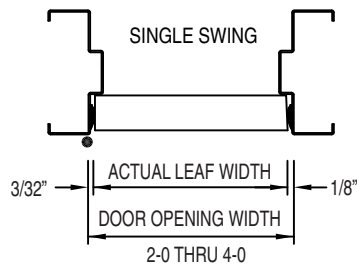


6 PANEL:
6-8 AND 7-0 HEIGHTS ONLY
2-8 AND 3-0 WIDTHS ONLY
(PANEL WIDTH AND SPACING
MAY VARY PER WIDTH)

2 PANEL:
6-8, 7-0 AND 8-0 HEIGHTS ONLY
2-8 AND 3-0 WIDTHS ONLY

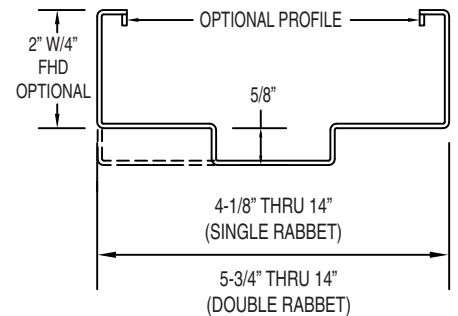
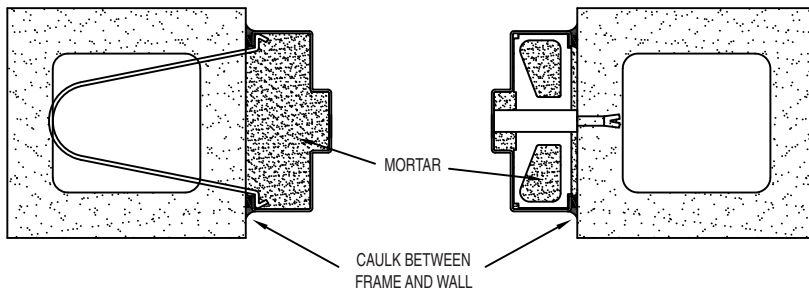


VERTICAL SECTION



HORIZONTAL SECTION

SOME COMMON MASONRY APPLICATIONS SHOWN BELOW

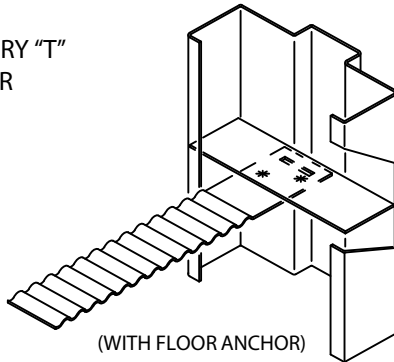


It is important that acoustic door systems be properly installed and sealed into the wall to prevent “flanking noise”. Acoustical systems are furnished with detailed instructions covering: handling, sealants, installation, and adjustments.

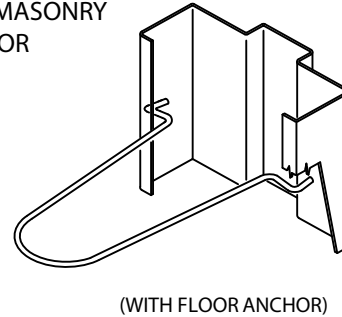
Whisper Core Door Systems

DECORATIVE PANEL STC40 THRU STC47

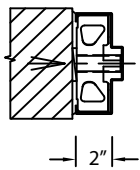
MASONRY "T"
ANCHOR



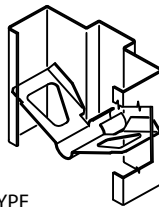
WIRE MASONRY
ANCHOR



EXISTING OPENING
ANCHOR
EWA

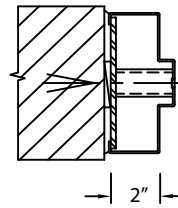


ANCHOR FITS
VARIOUS DEPTHS
FRAMES (SEE BELOW)

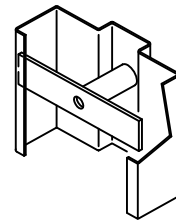


SNAP-IN TYPE
4-1/2" THRU 6-3/4" DEPTH
6-7/8" THRU 8-3/4" DEPTH

EXISTING OPENING
ANCHOR
P&S

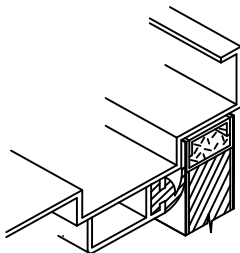


ANCHOR FITS
VARIOUS DEPTHS



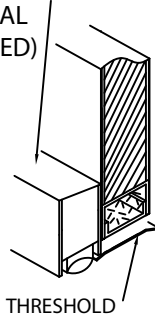
DEPTHS OVER 8-3/4" REQUIRE
TWO EWA/P&S ANCHORS PLACED
ACROSS SOFFIT

DOOR CONSTRUCTION
TOP AND BOTTOM



SEAL SETS VARY
PER STC RATING

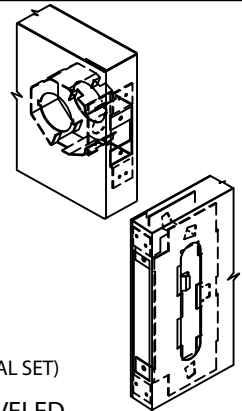
SURFACE APPLIED
BOTTOM
SOUND SEAL
(IF REQUIRED)



LOCK PREPARATIONS

CYLINDRICAL
ANSI A115.2
BACKSET
2-3/4" (STD)*
3-3/4" (OPT)
MORTISE
ANSI A115.1
CYLINDRICAL &
MORTISE DEADLOCK
(OPTIONAL)

*(1-9/16" ROSE MAX. IF USING ZERO SEAL SET)

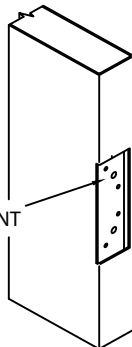


LOCK EDGE IS BEVELED
1/8" IN 2"

HINGE
PREPARATION

HINGE PREP
IS HANDED

7 GAUGE REINFORCEMENT

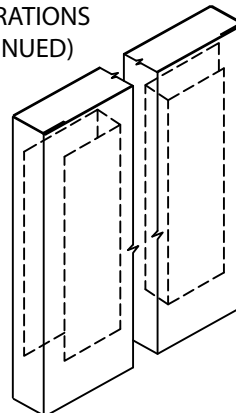


4-1/2" OR 5"
REGULAR OR HEAVY
WEIGHT HINGES
ANSI A156.7

OPTIONAL: OFFSET PIVOTS OR CAMLIFT

LOCK
PREPARATIONS
(CONTINUED)

LOCK
EDGE



HINGE
EDGE

RIM EXIT DEVICE
ANSI A156.3

SURFACE VERTICAL
ROD DEVICE
ANSI A156.3

Whisper Core Door Systems

DECORATIVE PANEL STC40 THRU STC47

STANDARD SIZES
NOMINAL DOOR OPENING

2 PANEL	6 PANEL
2868	2868
2870	2870
2880	3068
3068	3070
3070	
3080	

ACOUSTIC DOOR SYSTEM LABELS

STC
47
ASTM
E90
ASTM
E413

INSTALL PER
MANUFACTURER'S
INSTALLATION
INSTRUCTIONS;
USE APPROVED
SEAL SET

ACTUAL
STC RATING
SHOWN HERE

PRODUCT SPECIFICATIONS:

1-3/4" Thick acoustical steel door system will be as provided by FLEMING Door Products. Doors and frames shall conform to the Steel Door Institute guide specification, ANSI A250.8 as applicable. The standard door skin thickness is 18 gauge, with 16 gauge as an option.

The doors and frames are commercial quality galvaneal steel conforming to ASTM A1008 or optional zinc coated steel conforming to ASTM A653 & ASTM A924.

Acoustic core and internal construction is manufacturer's proprietary standard as tested in accordance with ASTM E90-09, E413-04, E1332, & E2235 to furnish the STC rating specified. Door systems are in compliance with HMMA 865-03 & SDI-128 specifications. A physical door label is applied to certify the product and identify the specific rating. The label will be applied to the door only and there will not be a label applied to the frames.

Frames are single or double rabbet profile of continuously welded construction and are available for any masonry acoustic wall system applications. They are constructed of 16 gauge Min. or 14 gauge Max. to provide the STC performance specified. Silencers are not allowed in these frames. The frames must also be mortar filled to achieve the STC rating.

Hardware Provisions: Hinge preparations are handed. The square hinge edges are mortised for 4-1/2" or 5" high, standard or heavy weight hinges (specify which). The door lock edge has a standard bevel and is prepared for ANSI A115.1 cylindrical, ANSI A115.2 mortise locks, rim exit, or surface vertical rod exit device; lock jamb preparation is for 4-7/8" high strike (ANSI A115.1 or 2) or reinforced for ANSI A156.3 rim exit device strike.

Paint: Doors and frames shall be provided with one coat of oven-cured neutral color prime paint. Primer coat shall conform with ANSI A250.10.

Doors are available factory stained and sealed with the owners choice of FLEMING Door Products standard colors.

	STC Rating	Lock Type	Under-cut	Max. Fire Rating	Seal Set Description
Single Doors	47	Cylindrical	3/8"	-	Pemko Seals:S88, S44, S773, S771, ACP112, 2005 threshold-SET 6
	46	Cyl/Mort.	3/8"	-	Pemko Seals:S88, S44, S773, S771, ACP112, 2005 threshold-SET 6
	46	Cylindrical	3/8"	-	Pemko Seals:S88, S44, S773, S771, ACP112, 2005 threshold-SET 6
	40-45	Cyl/Mort./Rim	3/8"	-	Pemko Seals:S88, S44, S773, S771, ACP112, 2005 threshold-SET 6
	45	Cyl/Mort.	3/8"	-	Pemko Seals:S88, S44, S773, S771, ACP112, 2005 threshold-SET 6
	40-44	Cyl/Mort./Rim	3/8"	-	Pemko Seals:S88, S44, S773, S771, ACP112, 2005 threshold-SET 6