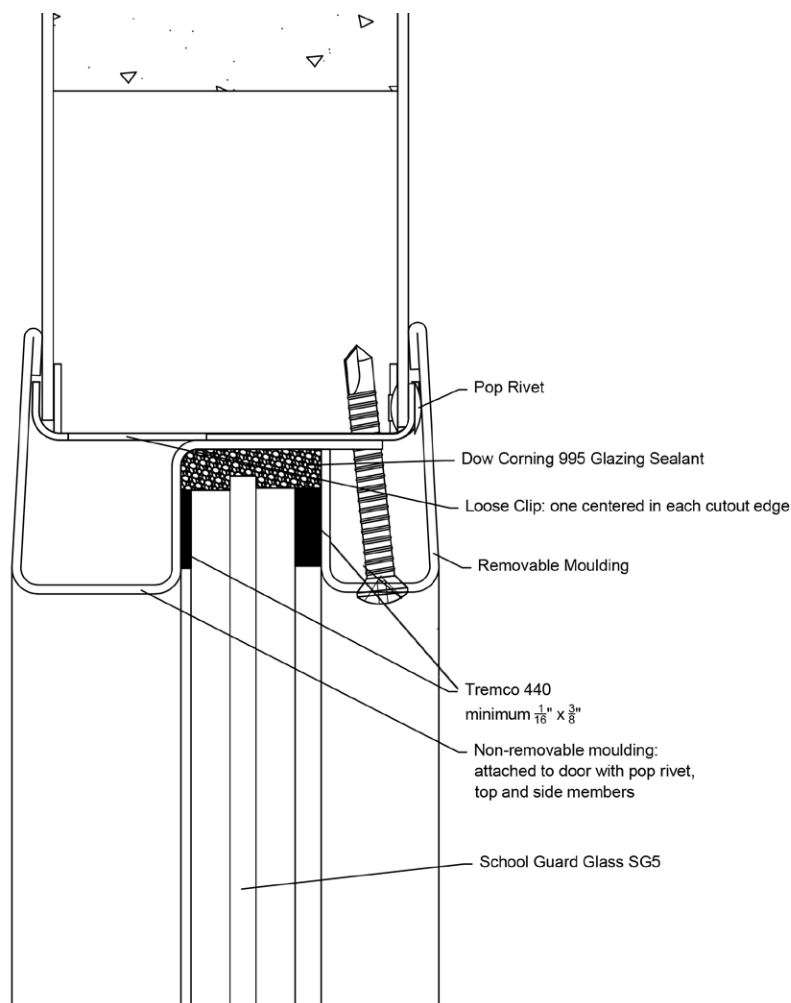


Attack Resistant Opening Vision Kit Installation

Type 2 Vision Kit Installation Commercial Hollow Metal Door Light

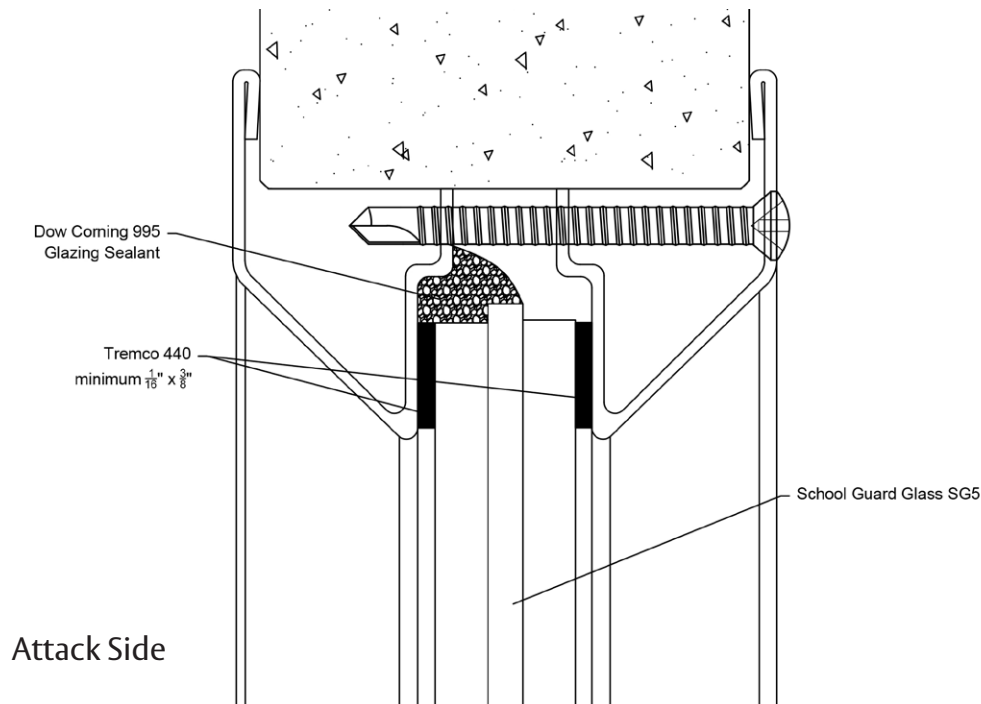
1. Install loose clips, one centered in each side of door light cutout
2. Insert non-removable side of light kit into door light cutout and transfer-drill 1/8" holes through retaining clips. Attach using pop rivets (Note: Pop rivets and gun not included)
3. Attach minimum 1/16" x 3/8" butyl tape between fixed moulding and glass, full light perimeter
4. Install glass
5. Apply continuous bead of Dow 995 silicone glazing sealant between glass edge and fixed moulding, full glass perimeter
6. Attach minimum 1/16" x 3/8" butyl tape (thickness can be adjusted to match glass pocket thickness) between the removable moulding and glass, full light perimeter (Note: tape thickness can be adjusted to meet glass pocket requirements)
7. Install removable moulding, Install screws by hand or low-torque screw gun-DO NOT OVERTIGHTEN
8. Optional: glazing setting blocks



Attack Side

Type 10 Vision Kit Installation Commercial Wood Door Light

1. Insert non-removable side of light kit into door light cutout
2. Attach minimum 1/16" x 3/8" butyl tape between fixed moulding and glass, full light perimeter
3. Install glass
4. Apply continuous bead of silicone glazing sealant between glass edge and fixed moulding, full glass perimeter
5. Attach minimum 1/16" x 3/8" butyl tape (thickness can be adjusted to match glass pocket thickness) between removable moulding and glass, full light perimeter (Note: tape thickness can be adjusted to meet glass pocket requirements)
6. Install screws by hand or low-torque screw gun-DO NOT OVERTIGHTEN
7. Optional: glazing setting blocks



GENERAL NOTES

1. ASSA ABLOY Door Group / SGG-Attack Resistant Retro-fit Kits and/or retrofit sidelights and/or retrofit borrowed lights must be used with the Attack Resistant component materials as supplied: AADG Kits, SGG5 Glass, approved and tested installation components only - NO SUBSTITUTIONS.
2. ASSA ABLOY Door Group and School Guard Glass are committed to providing the safest and most robust means and methods for attachment into complete factory installed OEM Attack Resistant assemblies as well as the repair, partial replacement, or enhancement of existing doors and frames. We have independent testing parties regularly test our installation procedures and products as well as the frames and glass it is installed into. However, please be advised that it is possible that not all existing doors, frames, or hardware on your project have been tested to our standards. Furthermore, if doors, windows or hardware are old, of inferior quality, broken or partially broken, then they may not meet the testing outcomes that new materials meet. Our products will not cause your existing products to be less secure but existing products that are defective may reduce the ability of our products to meet their full potential."

CECO DOOR | CURRIES | FLEMING

ASSA ABLOY Door Security Solutions
110 Sargent Drive
New Haven, CT 06511
(800) 377-3948

Copyright © 2018, ASSA ABLOY Inc., an ASSA ABLOY Group company. All rights reserved. Reproduction in whole or in part without the express written permission of ASSA ABLOY Inc. is prohibited.