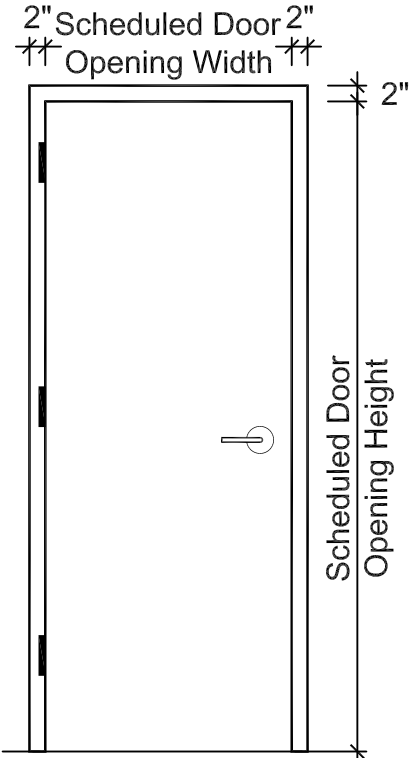


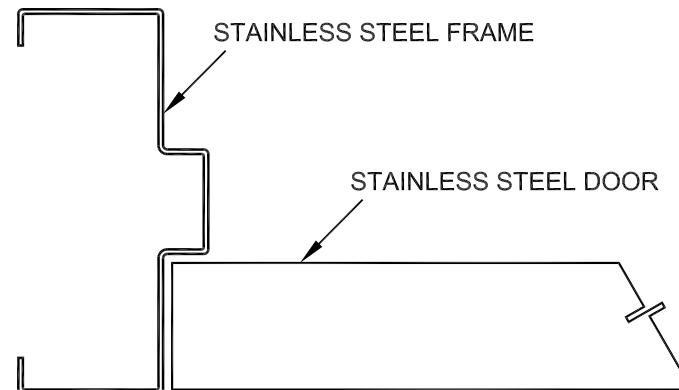
FLEMING DOOR PRODUCTS STAINLESS STEEL LOCK SEAM DOORS AND FRAMES

TYPICAL ELEVATION



SPECIFICATIONS:

- 1) Type 304 and 316 stainless steel available
- 2) Any commercial finish available (#2B mill, #4 brushed, #8 mirror).
- 3) Custom finished available, contact factory
- 4) Cores that can be provided:
 - Polystyrene standard
 - Polyurethane
 - Steel Stiffened
 - Honeycomb
- 5) Doors can be provided in either flush, vision or louver configurations
- 6) Standard and custom frame profiles are available; sidelites, window frames, etc.
- 7) Frames can be made from 12 - 16 gauge material.
- 8) Doors to have lock seam edges and formed of 18 gauge sheet
- 9) All doors are 1-3/4" thick.
- 10) Frames are set up and welded



Fleming
Door Products

ASSA ABLOY

ASSA ABLOY, the global leader
in door opening solutions